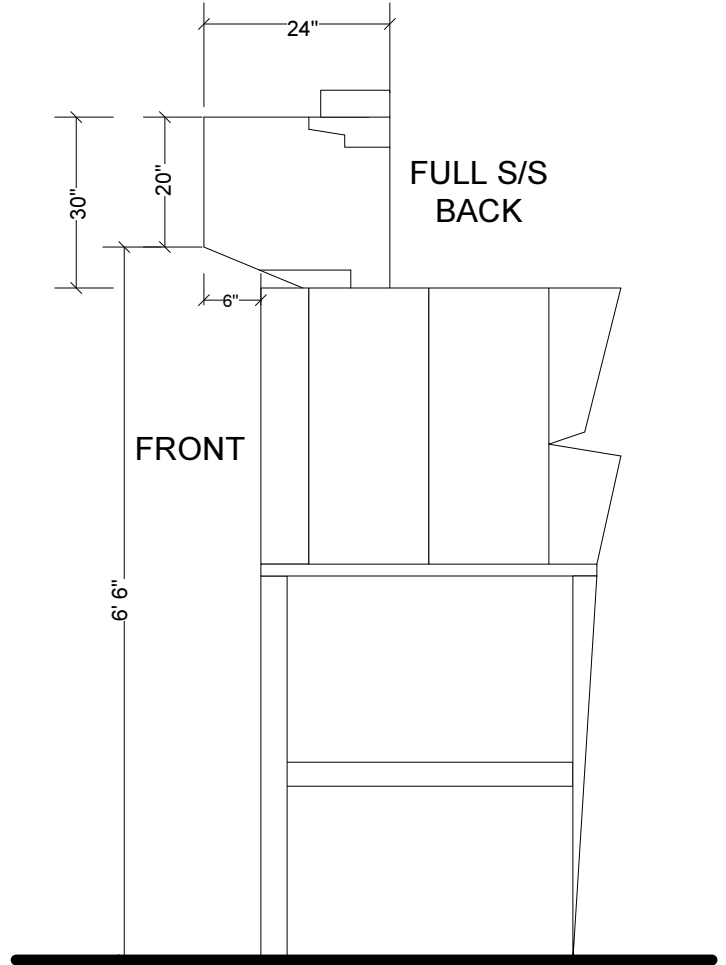
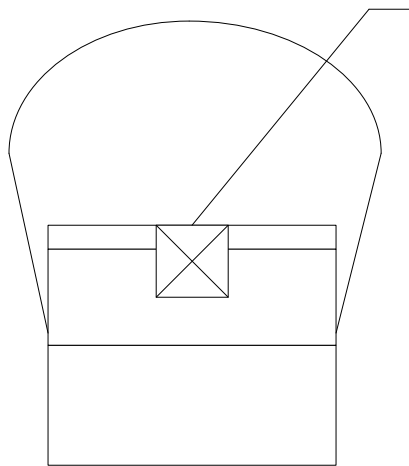


FRON ELEVATION VIEW



TYPICAL SECTION VIEW



EXHAUST
CFM – 240 max
SIZE - 9" x 9" or 8" dia.

**RECOMMENDED TYPY
OF HOOD FOR OVEN
Models 305, 405, 505**

FRONT PLAN VIEW

THE MANUFACTURER RESERVES THE RIGHT TO MODIFY THE MATERIALS & SPECIFICATIONS RESULTING FROM A CONTINUING PROGRAM OF PRODUCT IMPROVEMENT OR THE AVAILABILITY OF NEW MATERIALS