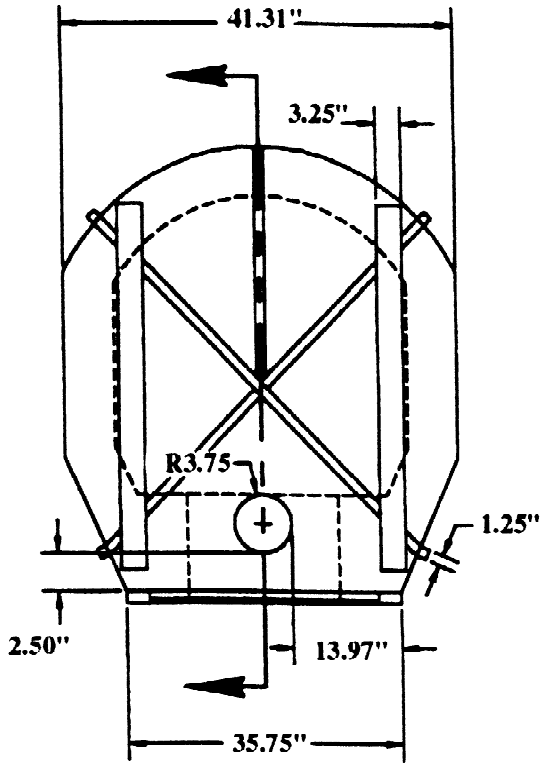
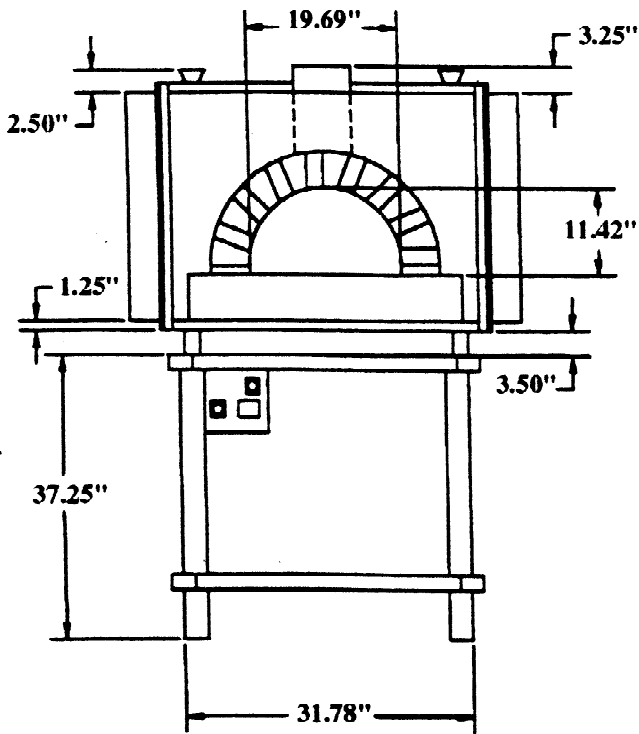


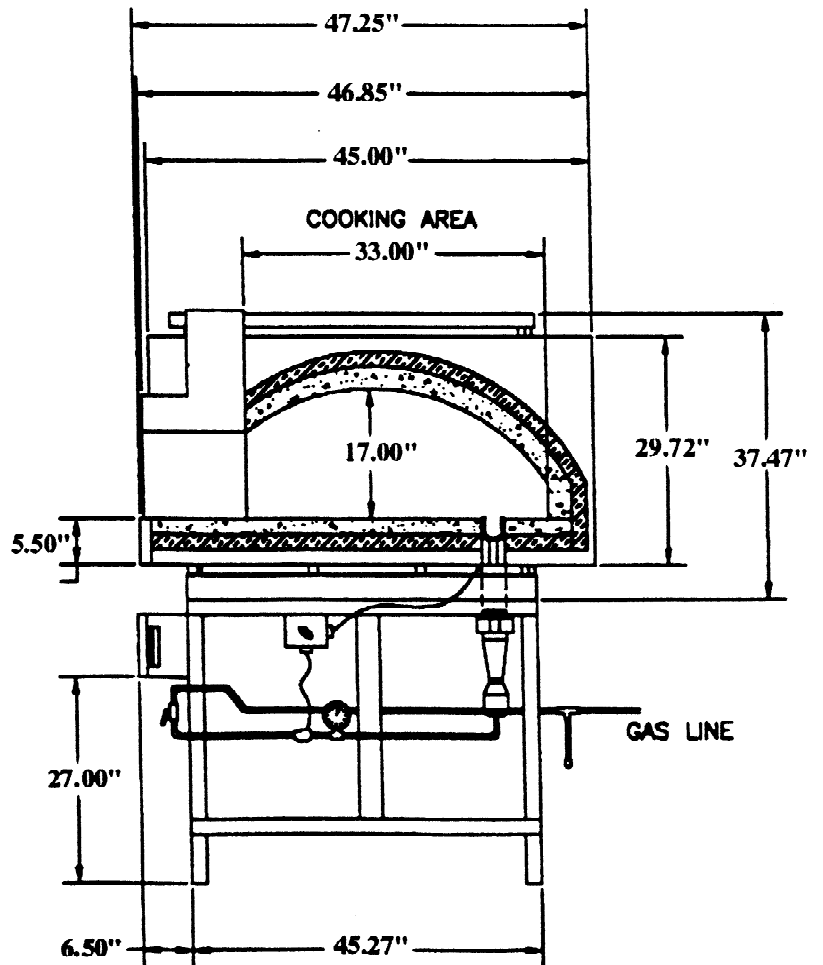
# MODEL 305 (GAS)



TOP VIEW



FRONT VIEW



CUT-OFF VIEW